



# DNH

HEAD OFFICE, NORWAY

**DNH AS**

Phone..... + 47 35 98 56 00

Fax..... + 47 35 98 56 10

E-mail..... dnh@dnh.no

Web-Site..... www.dnh.no

ENGLAND

**DNH WW Ltd**

Phone..... + 44 1908 275 000

Fax..... + 44 1908 275 100

E-mail..... dnh@dnh.co.uk

GERMANY

**DNH GmbH**

Phone... + 49 040 6569 30-0

Fax..... + 49 040 6569 30-30

E-mail..... dnh@dnh.de

## BF-620(T)

USA

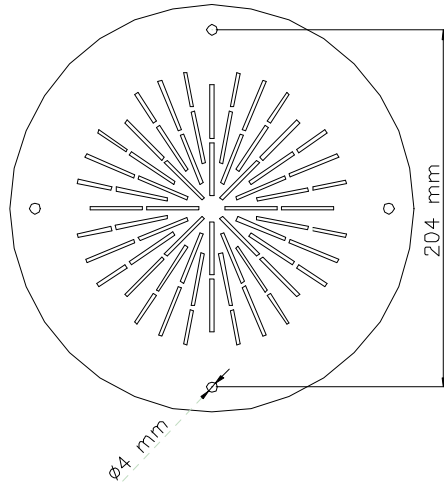
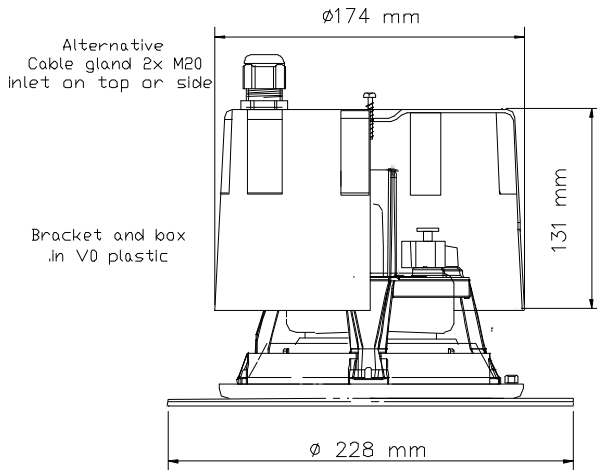
**DNH Speakers Inc**

Phone..... + 1 484 494 5790

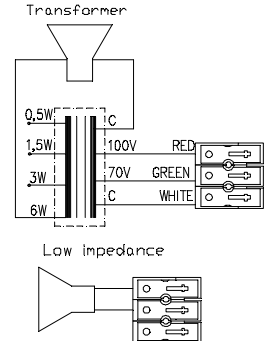
Fax..... + 1 484 494 5793

E-mail..... dnh@dnhspeakers.com

ISO 9001 CERTIFIED



### CIRCUIT DIAGRAM



### 70/100 Volt combined transformer Primary connections

White : Green 70 V  
White : Red 100 V

### Secondary switch tapings

C : 6W	6 W
C : 3W	3 W
C : 1,5W	1,5 W
C : 0,5W	0,5 W

### Sound pressure levels at 1W/1m

#### SPL vs Freq



### Specifications

Material / Color	Aluminum/ RAL9010 V0 plastic box
Mounting	4 screws trough grille
Termination	Spring clamps on bracket
Weight w/transformer	1,2 kg
IP-rating	42
Max. / min. amb. temp	90°C / -20°C
Rated / max. power	6 W / 15 W
SPL 1W/1m	92 dB
SPL rated power	99 dB
Effective freq. range	140 – 20000 Hz
Dispersion (-6dB) 1kHz / 4kHz	130° / 60°
Directivity factor, Q	
Options	Impedances, colors, labels

### Installation, Operation and Maintenance Procedures

- Lead the cable trough cable gland in to plastic-box.
- Connect to terminal (70V or 100V) and select required tapping in to the transformer.
- Screw box to loudspeaker mounting bracket and install loudspeaker in wall or ceiling by four screws
- For optimum performance, always use the correct voltage / power and operate within the frequency limits as stated.
- Do not open loudspeaker when energized.
- This loudspeaker is supplied with a 2 year warranty against defective workmanship.

DNH reserves the right to alter specifications without notice

